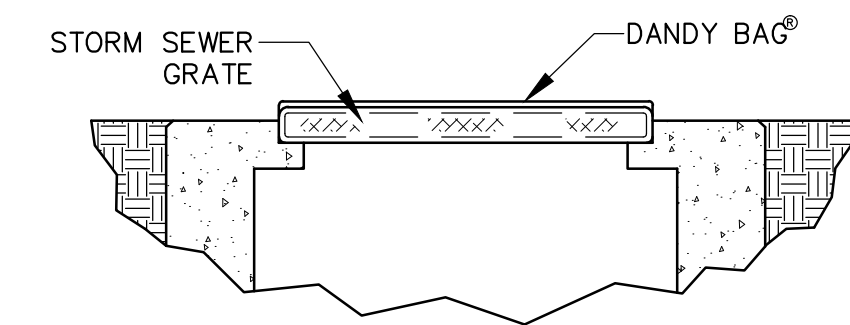
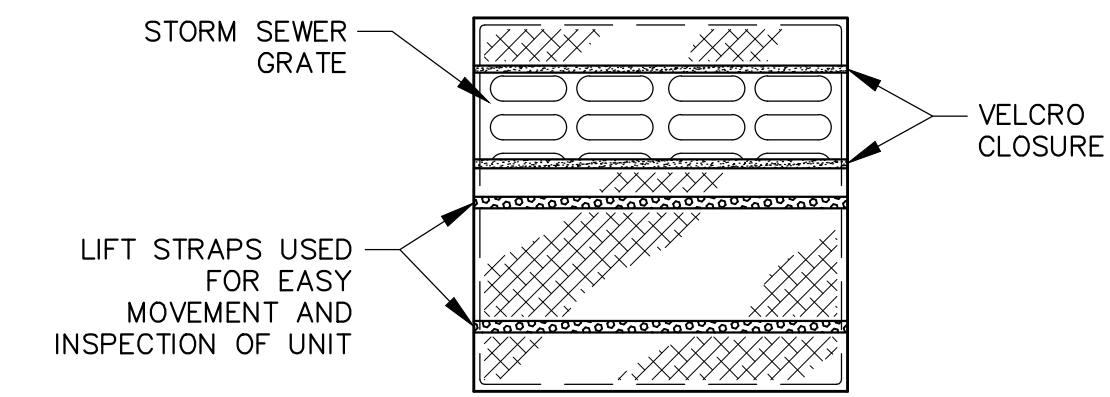


RESTORATION/SEDIMENTATION AND EROSION CONTROL

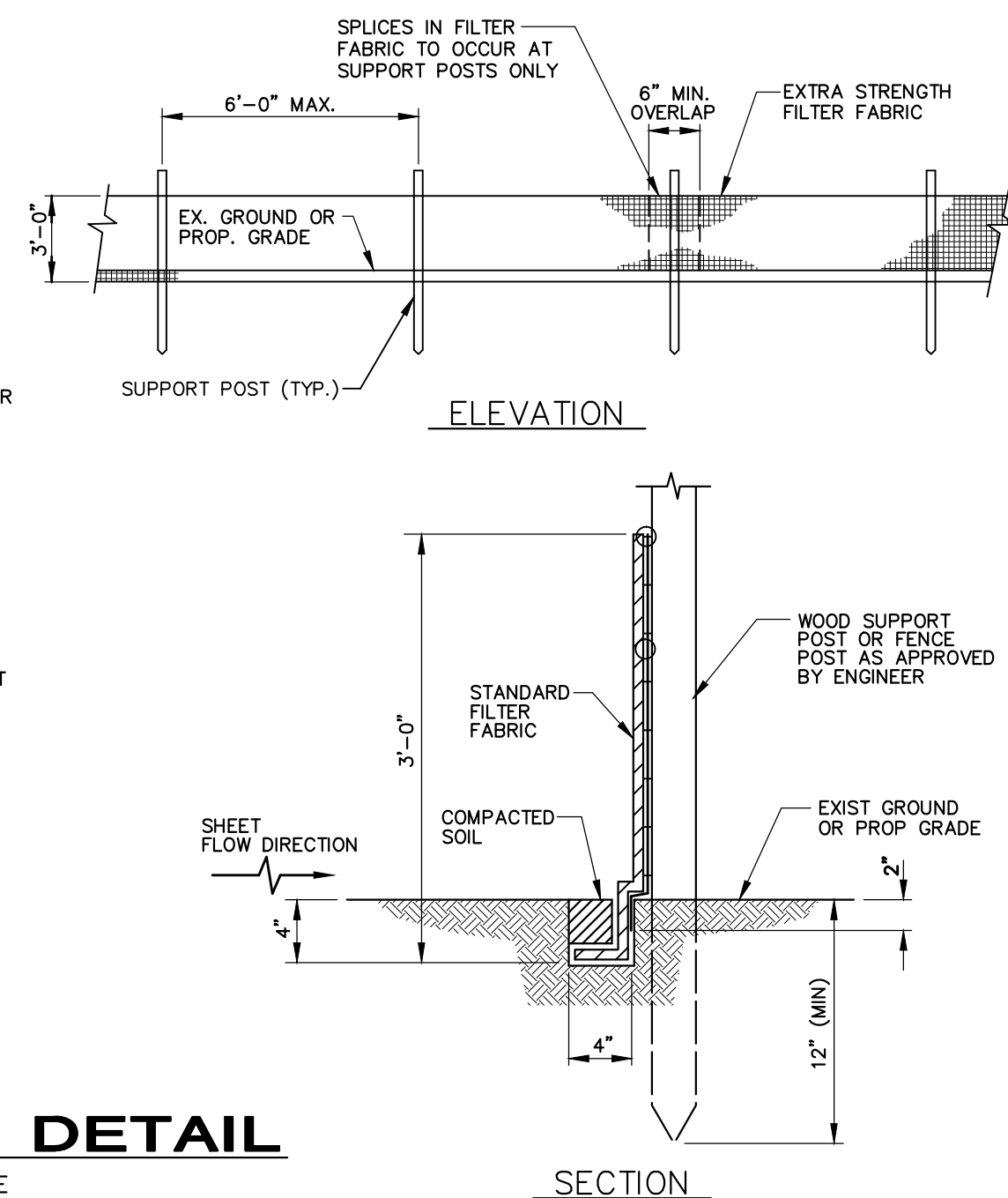
1. ALL AREAS DISTURBED BY CONSTRUCTION ACTIVITIES AND OTHER AREAS AS SHOWN ON PLANS SHALL BE PROPERLY RESTORED WITH 4" OF TOPSOIL, SEEDING AND MULCHING PER THE SPECIFICATIONS.
2. IN ALL DISTURBED AREAS THE CONTOURS WILL BE RESTORED IN A MANNER THAT MAINTAINS EXISTING DRAINAGE PATTERNS. FOLLOWED BY SEEDING AND MULCHING. IF, DUE TO WEATHER, FINAL GRADING CANNOT BE ACCOMPLISHED IMMEDIATELY, TEMPORARY SEEDING & MULCHING, WITHIN SEVEN DAYS, WILL BE USED UNTIL FINAL RESTORATION CAN OCCUR.
3. SILT FENCING SHALL BE EXTRA STRENGTH SYNTHETIC FILTER FABRIC HAVING A MINIMUM FLOW RATE OF 0.3 GA/SQ.FT/MINUTE AND SHALL CONTAIN ULTRAVIOLET RAY INHIBITORS AND STABILIZERS TO PROVIDE A MINIMUM OF 6 MONTHS OF EXPECTED USABLE CONSTRUCTION LIFE AT A TEMPERATURE RANGE OF 0°F. TO 120°F. SEE STANDARD DETAIL.
4. THE CONTRACTOR SHALL BE RESPONSIBLE FOR MAKING INSPECTIONS OF ALL EROSION CONTROL DEVICES ON A WEEKLY BASIS AND AFTER ALL STORMS THAT PRODUCE MORE THAN ONE-HALF (1/2") INCH TOTAL RAINFALL. ANY NEEDED REPAIRS SHALL BE PERFORMED IMMEDIATELY. THE CONTRACTOR SHALL DOCUMENT ALL INSPECTIONS AND ANY REPAIRS THAT ARE DONE TO MAINTAIN EFFICIENCY.
5. CONTRACTOR SHALL REMOVE DAILY ALL MUD, SOIL AND DEBRIS THAT MAY BE TRACKED ONTO EXISTING STREETS, DRIVES OR WALKS BY HIS EQUIPMENT OR THAT OF SUBCONTRACTORS OR SUPPLIERS.
6. THE TOTAL DISTURBED AREA IS LESS THAN ONE ACRE.



**DANDY BAG
(INLET PROTECTION ALTERNATE)**
NOT TO SCALE

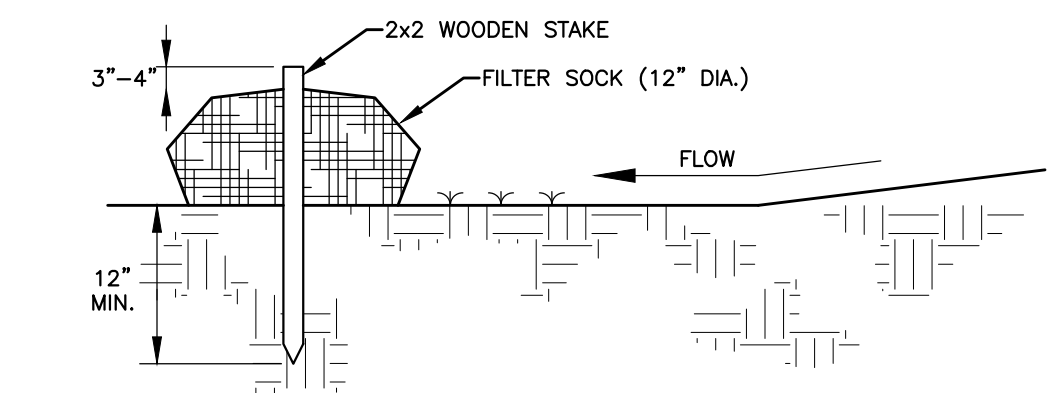
NOTES:

1. SILT FENCE SHALL BE CONSTRUCTED BEFORE UPSLOPE LAND DISTURBANCE BEGINS.
2. ALL SILT FENCE SHALL BE PLACED AS CLOSE TO THE CONTOUR AS POSSIBLE SO THAT WATER WILL NOT CONCENTRATE AT LOW POINTS IN THE FENCE AND SO THAT SMALL SWALES OR DEPRESSIONS WHICH MAY CARRY SMALL CONCENTRATED FLOWS TO THE SILT FENCE ARE DISSIPATED ALONG ITS LENGTH.
3. TO PREVENT WATER PONDED BY THE SILT FENCE FROM FLOWING AROUND THE ENDS, EACH END SHALL BE CONSTRUCTED UPSLOPE SO THAT THE ENDS ARE AT A HIGHER ELEVATION.
4. WHERE POSSIBLE, SILT FENCE SHALL BE PLACED ON THE FLATTEST AREA AVAILABLE. WHERE POSSIBLE, VEGETATION SHALL BE PRESERVED FOR 5 FEET (OR AS MUCH AS POSSIBLE) UPSLOPE FROM THE SILT FENCE. IF VEGETATION IS REMOVED, IT SHALL BE REESTABLISHED WITHIN 7 DAYS FROM THE INSTALLATION OF THE SILT FENCE.
5. THE HEIGHT OF THE SILT FENCE SHALL BE A MINIMUM OF 16 INCHES ABOVE THE ORIGINAL GROUND SURFACE.
6. THE SILT FENCE SHALL BE PLACED IN A TRENCH CUT A MINIMUM OF 6 INCHES DEEP. THE TRENCH SHALL BE CUT WITH A TRENCHER, CABLE LAYING MACHINE, OR OTHER SUITABLE DEVICE WHICH WILL ENSURE AN ADEQUATELY UNIFORM TRENCH DEPTH.
7. THE SILT FENCE SHALL BE PLACED WITH THE STAKES ON THE DOWNSLOPE SIDE OF THE GEOTEXTILE AND SO THAT 8 INCHES OF CLOTH ARE BELOW THE GROUND SURFACE. EXCESS MATERIAL SHALL LAY ON THE BOTTOM OF THE 6-INCH-DEEP TRENCH. THE TRENCH SHALL BE BACKFILLED AND COMPACTED.
8. SEAMS BETWEEN SECTION OF SILT FENCE SHALL BE OVERLAPPED WITH THE END STAKES OF EACH SECTION WRAPPED TOGETHER BEFORE DRIVING INTO THE GROUND.
9. MAINTENANCE - SILT FENCE SHALL ALLOW RUNOFF TO PASS ONLY AS DIFFUSE FLOW THROUGH THE GEOTEXTILE. IF RUNOFF OVERTOPS THE SILT FENCE, FLOWS UNDER OR AROUND THE ENDS, OR IN ANY OTHER WAY BECOMES A CONCENTRATED FLOW, ONE OF THE FOLLOWING SHALL BE PERFORMED, AS APPROPRIATE: 1) THE LAYOUT OF THE SILT FENCE SHALL BE CHANGED, 2) ACCUMULATED SEDIMENT SHALL BE REMOVED, OR 3) OTHER PRACTICES SHALL BE INSTALLED.
10. SILT FENCE MATERIALS
 - A. FENCE POSTS - THE LENGTH SHALL BE A MINIMUM OF 32 INCHES LONG. WOOD POSTS WILL BE 2 X 2 INCH HARDWOOD OF SOUND QUALITY. THE MAXIMUM SPACING BETWEEN POSTS SHALL BE 10 FEET.
 - B. SILT FENCE FABRIC (SEE CHART BELOW):



SILT FENCE DETAIL
NOT TO SCALE

FABRIC PROPERTIES	VALUES	TEST METHOD
GRAB TENSILE STRENGTH	90 LB. MINIMUM	ASTM D 1682
MULLEN BURST STRENGTH	190 PSI MINIMUM	ASTM D 3786
SLURRY FLOW RATE	0.3 GAL./MIN./F2 MAXIMUM	
EQUIVALENT OPENING SIZE	40-80	US STD. SIEVE CW-02215
ULTRAVIOLET RADIATION STABILITY	90% MINIMUM	ASTM-G-26

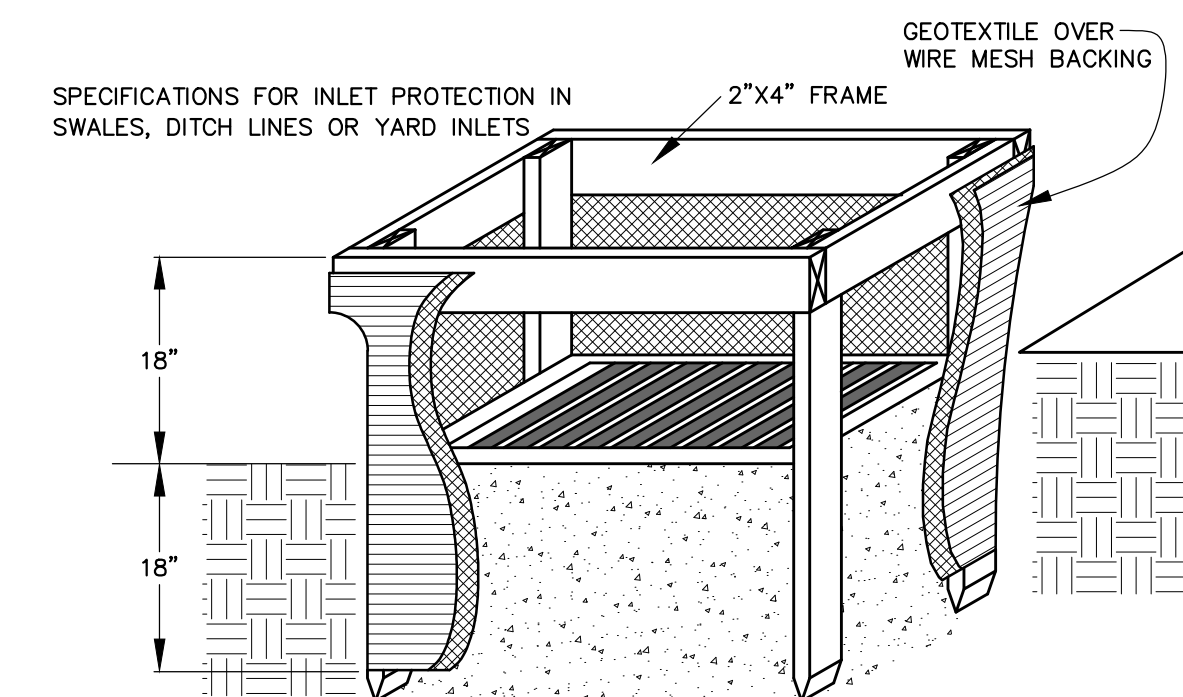


MATERIALS - COMPOST USED FOR FILTER SOCKS SHALL BE WEED, PATHOGEN AND INSECT FREE AND FREE OF ANY REFUSE, CONTAMINANTS OR OTHER MATERIALS TOXIC TO PLANT GROWTH. THEY SHALL BE DERIVED FROM A WELL-DECOMPOSED SOURCE OF ORGANIC MATTER AND CONSIST OF PARTICLES RANGING FROM 3/8" TO 2".

- INSTALLATION:**
1. FILTER SOCKS WILL BE PLACED ON A LEVEL LINE ACROSS SLOPES; GENERALLY PARALLEL TO THE BASE OF THE SLOPE OR OTHER AFFECTED AREA. ON SLOPES APPROACHING 2:1; ADDITIONAL SOCKS SHALL BE PROVIDED AT THE TOP AND AS NEEDED MID-SLOPE.
 2. FILTER SOCKS INTENDED TO BE LEFT AS A PERMANENT FILTER OR PART OF THE NATURAL LANDSCAPE, SHALL BE SEEDED AT THE TIME OF INSTALLATION FOR ESTABLISHMENT OF PERMANENT VEGETATION.
 3. FILTER SOCKS ARE NOT TO BE USED IN CONCENTRATED FLOW SITUATIONS OR IN RUNOFF CHANNELS.

- MAINTENANCE:**
1. ROUTINELY INSPECT FILTER SOCKS AFTER EACH SIGNIFICANT RAIN, MAINTAINING FILTER SOCKS IN A FUNCTIONAL CONDITION AT ALL TIMES.
 2. REMOVE SEDIMENTS COLLECTED AT THE BASE OF THE FILTER SOCKS WHEN THEY REACH 1/3 OF THE EXPOSED HEIGHT OF THE PRACTICE.
 3. WHERE THE FILTER SOCK DETERIORATES OR FAILS, IT WILL BE REPAIRED OR REPLACED WITH A MORE EFFECTIVE ALTERNATIVE.
 4. REMOVAL - FILTER SOCKS WILL BE DISPERSED ON SITE WHEN NO LONGER REQUIRED IN SUCH A WAY AS TO FACILITATE AND NOT OBSTRUCT SEEDINGS.

**FILTER SOCK
(SILT FENCE ALTERNATE)**
NO SCALE



- SPECIFICATIONS FOR INLET PROTECTION IN SWALES, DITCH LINES OR YARD INLETS**
1. INLET PROTECTION SHALL BE CONSTRUCTED EITHER BEFORE UPSLOPE LAND DISTURBANCE BEGINS OR BEFORE THE STORM DRAIN BECOMES OPERATIONAL.
 2. THE EARTH AROUND THE INLET SHALL BE EXCAVATED COMPLETELY TO A DEPTH OF AT LEAST 18 INCHES.
 3. THE WOODEN FRAME SHALL BE CONSTRUCTED OF 2-BY-4-INCH CONSTRUCTION-GRADE LUMBER. THE 2-BY-4-INCH POSTS SHALL BE DRIVEN 1 FOOT INTO THE GROUND AT FOUR CORNERS OF THE INLET AND THE TOP PORTION OF 2-BY-4-INCH FRAME ASSEMBLED USING THE OVERLAP JOINT SHOWN. THE TOP OF THE FRAME SHALL BE AT LEAST 6 INCHES BELOW ADJACENT ROADS IF PONDED WATER WOULD POSE A SAFETY HAZARD TO TRAFFIC.
 4. WIRE MESH SHALL BE OF SUFFICIENT STRENGTH TO SUPPORT FABRIC WITH WATER FULLY IMPOUNDED AGAINST IT. IT SHALL BE STRETCHED TIGHTLY AROUND THE FRAME AND FASTENED SECURELY TO THE FRAME.
 5. GEOTEXTILE SHALL HAVE AN EQUIVALENT OPENING SIZE OF 20-40 SIEVE AND BE RESISTANT TO SUNLIGHT. IT SHALL BE STRETCHED TIGHTLY AROUND THE FRAME AND FASTENED SECURELY. IT SHALL EXTEND FROM THE TOP OF THE FRAME TO 18 INCHES BELOW THE INLET NOTCH ELEVATION. THE GEOTEXTILE SHALL OVERLAP ACROSS ONE SIDE OF THE INLET SO THE ENDS OF THE CLOTH ARE NOT FASTENED TO THE SAME POST.
 6. BACKFILL SHALL BE PLACED AROUND THE INLET IN COMPACTED 6 INCH LAYERS UNTIL THE EARTH IS EVEN WITH NOTCH ELEVATION ON ENDS AND TOP ELEVATION ON SIDES.
 7. A COMPACTED EARTH DIKE OR A CHECK DAM SHALL BE CONSTRUCTED IN THE DITCH LINE BELOW THE INLET IF THE INLET IS NOT IN A DEPRESSION AND IF RUNOFF BYPASSING THE INLET WILL NOT FLOW TO A SETTLING POND. THE TOP OF EARTH DIKES SHALL BE AT LEAST 6 INCHES HIGHER THAN THE TOP OF THE FRAME.

INLET PROTECTION
NOT TO SCALE



NO	REVISION	DATE

**WAITE HILL ROAD
IMPROVEMENTS**
VILLAGE OF WAITE HILL, OHIO

SCALE:	AS SHOWN
DATE:	JULY 2017
DESIGNED BY:	JNS
DRAWN BY:	JNS
CHECKED BY:	TRL

**EROSION AND SEDIMENT
CONTROL**

PROJECT NO:	
16001801	
DRAWING NAME	
ESC-1	
SHEET	OF
11	11